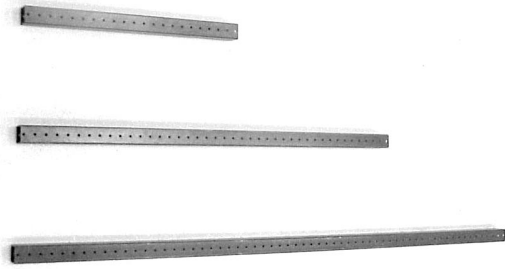


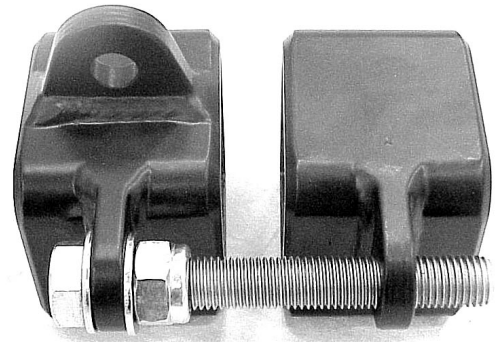
# **d&b Installer Flying System**

## **Product overview**

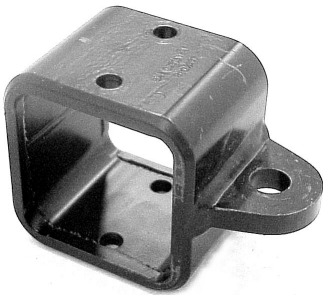
## Component overview



**Z5200.xxx Box section**  
1080mm, 1580mm, 2080mm, 2580mm, 3080mm



**Z5201.002 Adjustable lifting slider**



**Z5201.000 Lifting slider**



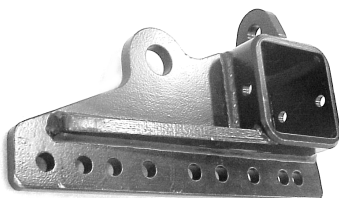
**Z5201.001 Spreader lifting slider**



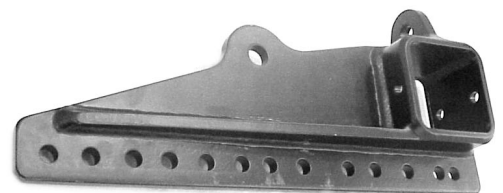
**Z5201.030 Installer slider 36 mm**



**Z5201.140 Installer slider 144 mm**



**Z5201.230 Installer slider 230 mm**



**Z5201.350 Installer slider 350 mm**

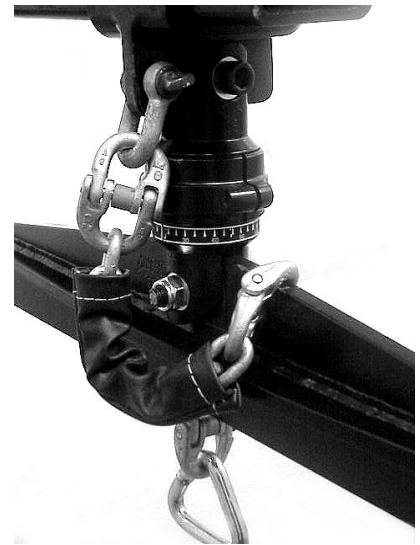
**Not shown:** Z5201.280 Installer slider 288 mm



**Z5202 Rota swivel**



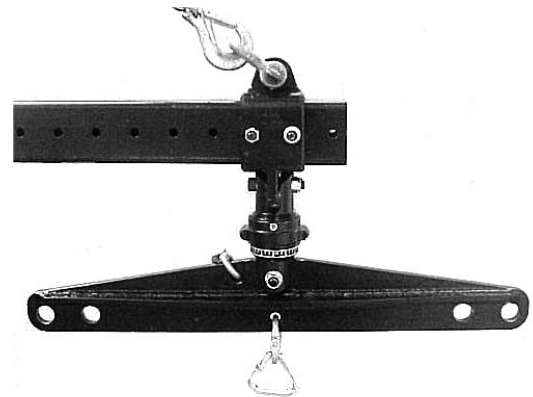
**Z5203 Sub bar with Z5207 Delta link**



**Z5208 Safety chain**



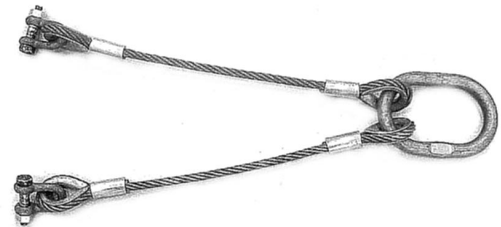
**Sub bar assembly with 36 mm Slider Z5201.030, Safety chain Z5208 and Delta link Z5207**



**Sub bar assembly with Box section**



**Z5207 Delta link**

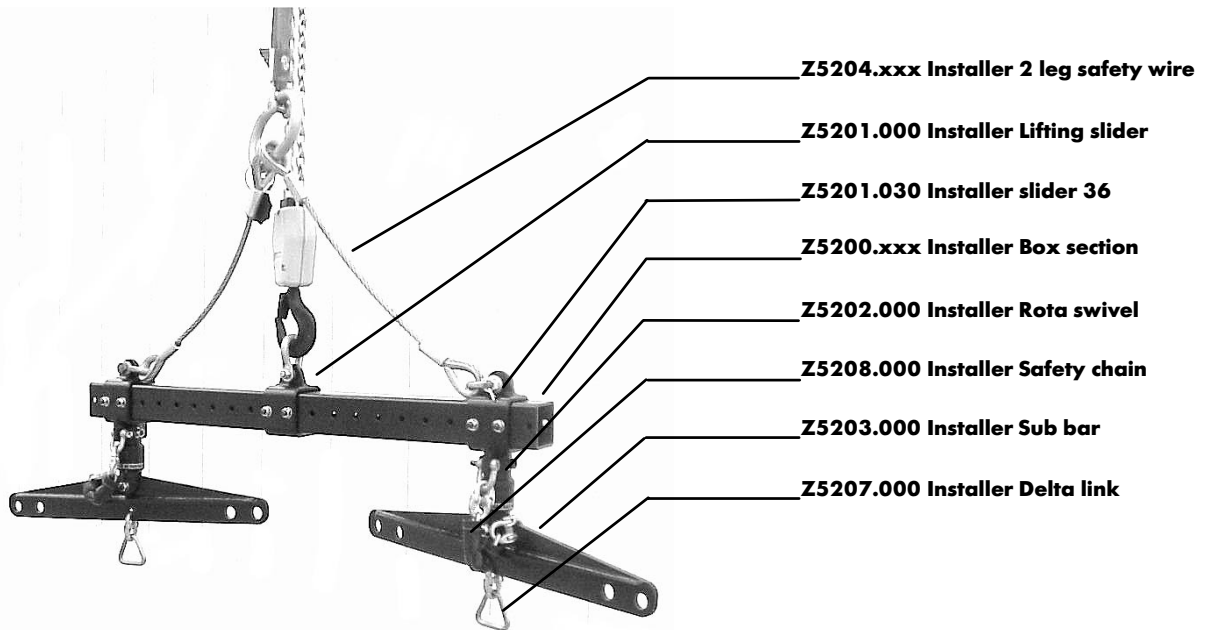


**Z5204.xxx 2 leg safety wire for Z5200.xxx Box section**

**Not shown  
Lifting chain:**

- Z5209.100: 2 leg lifting chain for Box section, 1m
- Z5209.150: 2 leg lifting chain for Box section, 2m
- Z5209.200: 2 leg lifting chain for Box section, 3m

**Installer 2 wide Configuration example**



**Z5211 Installer 1 wide 1L**

Quantity	Description	d&b code
1	Installer Sub bar	Z5203.000
1	Installer Safety chain	Z5208.000
2	Installer unilock U10 shackle	Z5205.000
1	Installer C7 connex shackle	Z5206.000
1	Installer Delta link	Z5207.000

**Z5212 Installer 2 wide 1L**

Quantity	Description	d&b code
1	Installer Box section 1080	Z5200.100
1	Installer Lifting slider	Z5201.000
2	Installer Slider 36	Z5201.030
2	Installer Rota swivel	Z5202.000
2	Installer Sub bar assembly	Z5210.00
1	Installer 2 leg safety wire 1m/2 wide	Z5204.100
3	Installer unilock U10 shackle	Z5205.000

**Z5213 Installer 3 wide 2L**

Quantity	Description	d&b code
1	Installer Box section 2080	Z5200.200
2	Installer Lifting slider	Z5201.000
2	Installer Slider 144	Z5201.140
1	Installer Slider 288	Z5201.280
3	Installer Rota swivel	Z5202.000
3	Installer Sub bar assembly	Z5210.00
1	Installer 2 leg safety wire 2m/3 wide	Z5204.100
2	Installer unilock U10 shackle	Z5205.000

**Z5214 Installer 4 wide 2L**

Quantity	Description	d&b code
1	Installer Box section 3080	Z5200.300
2	Installer Lifting slider	Z5201.000
4	Installer Slider 288	Z5201.280
4	Installer Rota swivel	Z5202.000
4	Installer Sub bar assembly	Z5210.00
2	Installer 2 leg safety wire 1m/2 wide	Z5204.100
2	Installer unilock U10 shackle	Z5205.000